

NOTES

1. A BACKFLOW DEVICE IS REQUIRED BY THE NJDEP. THE BACKFLOW DEVICE IS FURNISHED & INSTALLED BY CUSTOMER. THE BACKFLOW DEVICE MUST BE PLACED BEFORE THE FIRST CONNECTION.
2. CUSTOMER MUST ACCOUNT FOR THE INSTALLATION OF A PRESSURE REDUCING VALVE, IF REQUIRED.

LEGEND

A - VALVES

OS&Y GATE VALVE WITH FLANGED ENDS. FURNISHED & INSTALLED BY CUSTOMER

B - DETECTOR CHECK VALVE

FURNISHED BY WATER CO
INSTALLED BY CUSTOMER, contact local office for details.

C - STRAINER

FURNISHED BY WATER CO
TYPICALLY INSTALLED BY WATER CO., contact local office for details.

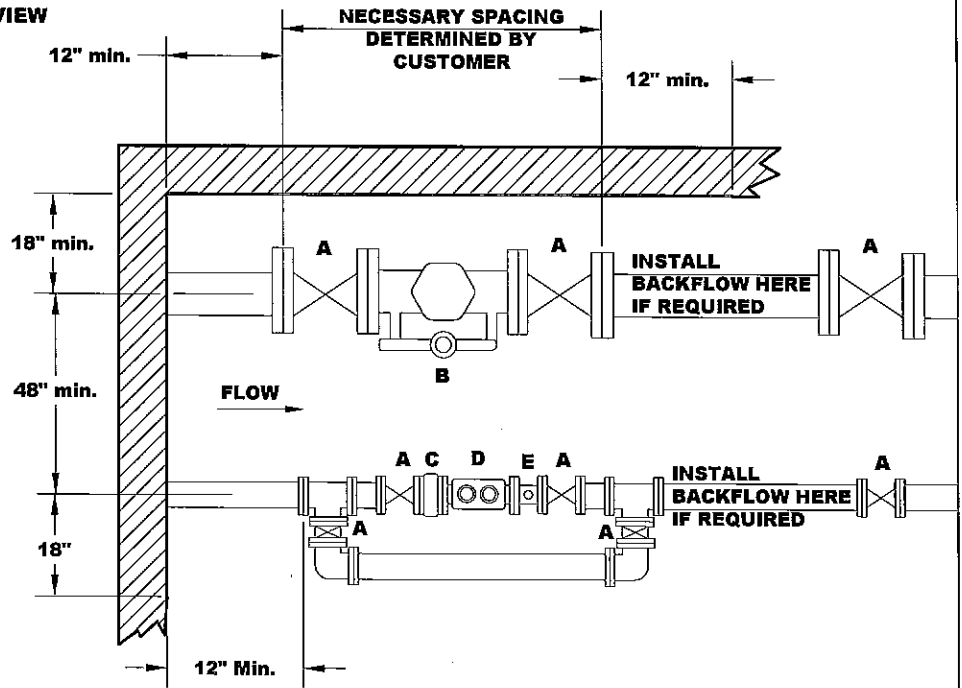
D - COMPOUND OR TURBINE METER

FURNISHED BY WATER CO
TYPICALLY INSTALLED BY WATER CO., contact local office for details.

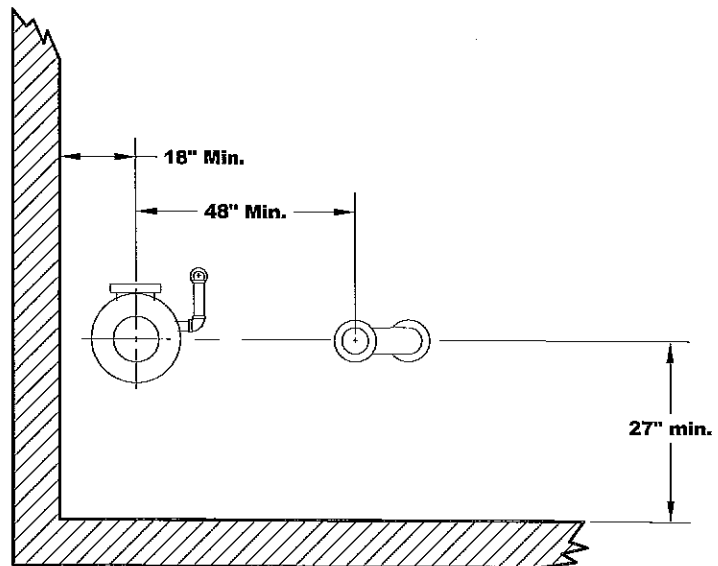
E - TEST ASSEMBLY

FURNISHED BY CUSTOMER
Contact local office for details.

PLAN VIEW



ELEVATION VIEW



**NEW JERSEY
AMERICAN WATER**

TYPICAL INSIDE SET DIAGRAM
FIELD SERVICES DEPARTMENT